

CAVITY RESONATORS

VHF 138 - 190 MHz

ISO-CAVS

ELECTRICAL SPECIFICATIONS

Model Number	Contact Factory (623) 581-2875	74314/CFC	74414/CFC	74424/CFC	74514/CFC
Frequency Band (MHz)	138-150	150-190	150-190	150-190	150-190
Power: Input Reflected	↑	20 W 10 W	50 W 30 W	50 W 30 W	125 W 60 W
Insertion Loss		1.5 dB	1.5 dB	1.7 dB	1.5 dB
Isolation		35+ dB	35+ dB	70+ dB	35 + dB
Isolator Stage		Single	Single	Dual	Single
Noise Reject +/- 5 MHz		25+ dB	25+ dB	25+ dB	25+ dB
Impedance		50 Ω	50 Ω	50 Ω	50 Ω
VSWR: Input/Output		1.1:1 or Better	1.1:1 or Better	1.1:1 or Better	1.1:1 or Better
Electrical Length		1/4 λ	1/4 λ	1/4 λ	1/4 λ
Temp Range		- 22 to +140 °F - 30 to +60 °C	- 22 to +140 °F - 30 to +60 °C	- 22 to +140 °F - 30 to +60 °C	- 22 to +140 °F - 30 to +60 °C

MECHANICAL SPECIFICATIONS

Dim (d x w): Inches	6 x 19	6 x 19	6 x 19	6 x 19
Metric	153 x 483	153 x 483	153 x 483	153 x 483
Dim (Height): Inches	26 - 32 1/2	26 - 32 1/2	26 - 32 1/2	26 - 32 1/2
Metric	661 - 826	661 - 826	661 - 826	661 - 826
Connectors	N Female	N Female	N Female	N Female
Finish	EMR Gray	EMR Gray	EMR Gray	EMR Gray
Ship Weight: lbs.	12	12	13	12
kg.	5.5	5.5	5.9	5.5

74314/CFC



74414/CFC



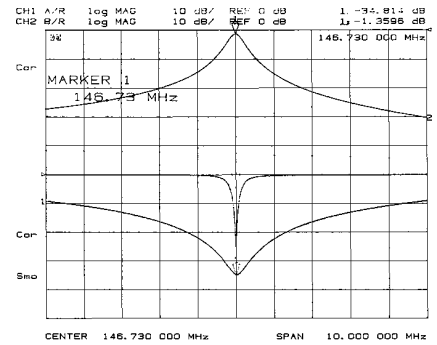
74424/CFC



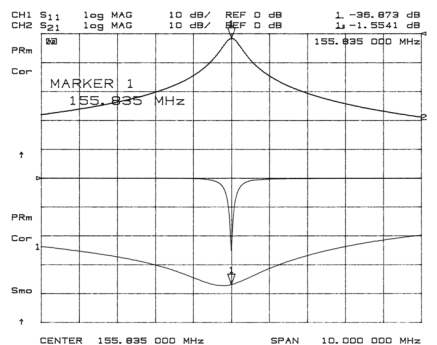
74514/CFC



74314/CFC, 74414/CFC & 74514/CFC



74424/CFC



CAVITY RESONATORS

VHF 150 - 190 MHz

ELECTRICAL SPECIFICATIONS

Model Number	74524/CFC	74517/CFC	74527/CFC	74617H/CFCH (Not Pictured)	74627H/CFCH (Not Pictured)
Frequency Band (MHz)	150-190	150-190	150-190	150-190	150-190
Power: Input Reflected	125 W 60 W	125 W 60 W	125 W 60 W	250 W 125 W	250 W 125 W
Insertion Loss	1.7 dB	1.5 dB	1.7 dB	1.5 dB	1.7 dB
Isolation	70+ dB	35+ dB	70+ dB	35+ dB	70+ dB
Isolator Stage	Dual	Single	Dual	Single	Dual
Noise Reject +/- 5 MHz	25+ dB	25+ dB	25+ dB	30+ dB	30+ dB
Impedance	50 Ω	50 Ω	50 Ω	50 Ω	50 Ω
VSWR: Input/Output	1.1:1 or Better	1.1:1 or Better	1.1:1 or Better	1.1:1 or Better	1.1:1 or Better
Electrical Length	1/4 λ	1/4 λ	1/4 λ	1/4 λ	1/4 λ
Temp Range	- 22 to +140 °F - 30 to +60 °C	- 22 to +140 °F - 30 to +60 °C	- 22 to +140 °F - 30 to +60 °C	- 22 to +140 °F - 30 to +60 °C	- 22 to +140 °F - 30 to +60 °C

MECHANICAL SPECIFICATIONS

Dim (d x w): Inches	6 x 19	9 x 19	9 x 19	10 3/4 x 19	10 3/4 x 19
Metric	153 x 483	229 x 483	229 x 483	274 x 483	274 x 483
Dim (Height): Inches	26 - 34 1/4	26 - 34 1/4	26 - 34 1/4	26 - 34 1/4	26 - 34 1/4
Metric	661 - 826	661 - 826	661 - 826	661 - 826	661 - 826
Connectors	N Female	N Female	N Female	N Female	N Female
Finish	EMR Gray	EMR Gray	EMR Gray	EMR Gray	EMR Gray
Ship Weight: lbs.	13	15	15	22	22
kg.	5.9	6.9	6.9	10.0	10.0

